

UTILIGHT II SGN

UTILIGHT II SGN is a low power LED luminaire, designed for emergency escape lighting, for surface or recessed mounting inside the building.

Its main task is to indicate escape routes by means of internally illuminated evacuation signs in the ISO 7010 standard.

One universal plastic housing allows for wall and ceiling mounting.



CE IP40

Safety sign visibility:

30x15cm

30m



LUMINAIRE FEATURES

- Luminaire shows the directions of escape
- LED indicators signalling the luminaire state
- Deep discharge battery protection
- Maintained/non-maintained or switched maintained operation or cinema mode
- Possibility of connecting to the monitoring system or collective power supply system
- A lot of mounting types, universal mounting to wall or ceiling
- Housing is made of plastic, lamp shade of PMMA
- Installation inside the building

AVAILABLE SYSTEMS

STANDARD - tests commissioned manually

AUTOTEST - internal components, battery and light source tests being performed automatically

CENTRALTEST - internal components, battery and light source tests being performed on command from the main unit

CB - luminaire supplied from HVCBS (230V AC/216V DC /108V DC), without address module

CBAM - luminaire supplied from the HVCBS (230V AC /216V DC), with built-in address module

LVAM - luminaire supplied with 24V DC from the LVDBS system, with built-in address module

TECHNICAL DATA

Supply voltage	ST, AT, CT	230V AC 50/60Hz
	CB, CBAM	230V AC 50/60Hz 170 - 275V DC
	LVAM	10 - 32V DC
Pobór prądu	CB	9mA @216V DC
	CBAM	10mA @216V DC
	LVAM	75mA @24V DC
Pobór mocy	ST, AT, CT	charging 4W@230VAC, standby 2W@230VAC
	CB	2W@230VAC
	CBAM	M ¹⁾ : 2.2W@230VAC, NM ²⁾ : 0.8W@230VAC
	LVAM	1.8W @24V DC
Protection class	ST, AT, CT, CB, CBAM	II
	LVAM	III
		IP40
Ingress protection		IP40
Light source		LED strip ³⁾
Light source supply power		1W

Light source lifespan		> 50 000h
Battery type		Li-Ion
Battery voltage		3.7V
Battery capacity		0.7, 2.2, 4.4Ah
Battery recharging time	ST, AT, CT	≤ 12h
Emergency operation time	ST, AT, CT	1, 3, 8h
Ambient temperature	ST, AT, CT	+5 - +35°C
	CB, CBAM	-10 - +55°C
	LVAM	-25 - +60°C
Supply cable cross-section area		0.5 - 2.5mm ²
Supply cable diameter		≤ 17mm
Communication cable diameter	CT	≤ 7mm
Through wiring		✓
Suitable for surface wiring		✓

¹⁾M - maintained; ²⁾NM - non-maintained; ³⁾Non-exchangeable, but serviceable light source

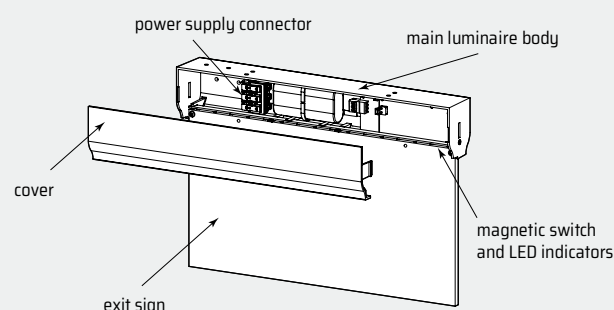
MATERIAL

Housing material - PC/ABS mix

Housing colour - ○ RAL 9016, ● RAL 7042, ● RAL 7016, ● RAL 9005, other on special order

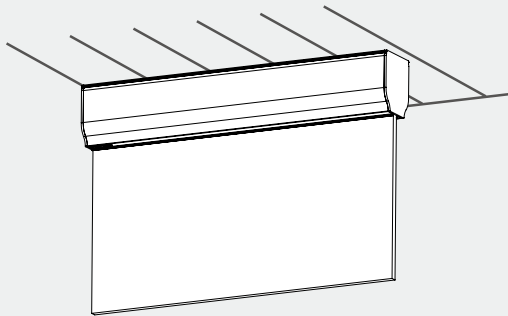
Lamp shade material - PMMA

CONSTRUCTION

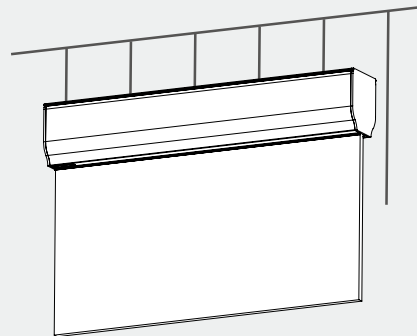


MOUNTING TYPES

Directly to the ceiling

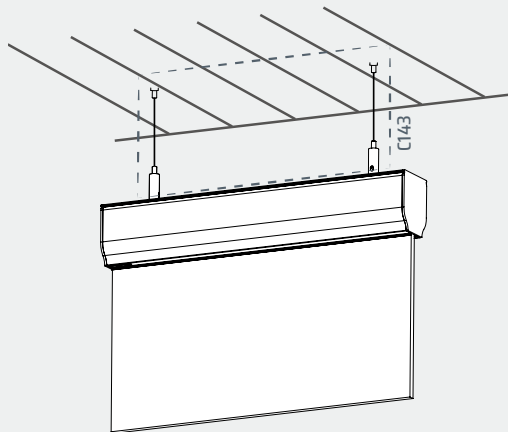


Back to the wall

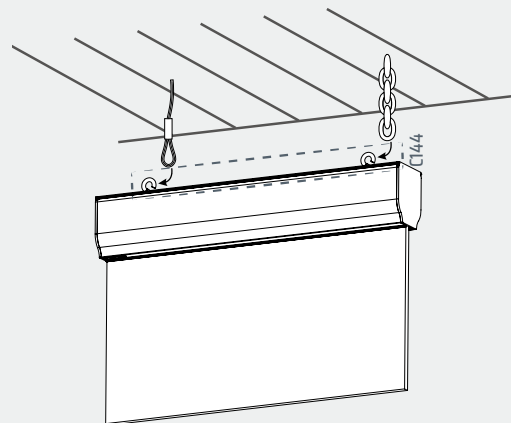


MOUNTING KITS

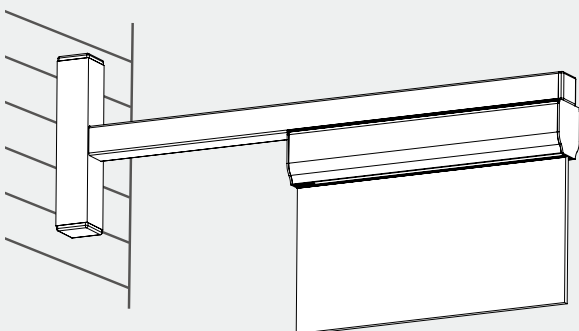
UTILIGHT C143 - suspended with cords and easy height adjustment (cables and ceiling mounting elements can be ordered separately)



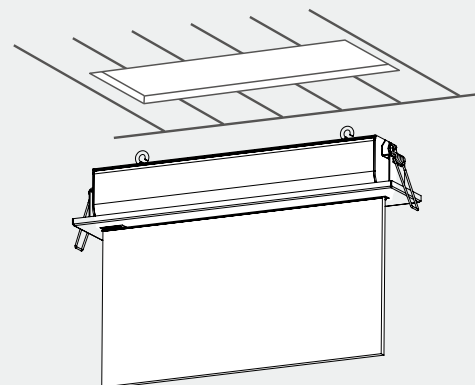
UTILIGHT C144 - suspended with cords or chains (cords, chains and ceiling fixings can be ordered separately)



UTILIGHT W151 - side to the wall



UTILIGHT C155 - recessed



SAFETY SIGNS

Signs visible on both sides:

P03	WYJŚCIE EWAKUACYJNE
P04	EXIT
PI05	
PI06	
PI15	
PI17	
PI18	
PI21	
PI22	
PI23	
PI24	
PI25	
PI26	
PI27	

Signs visible on one side only:

P03/00	WYJŚCIE EWAKUACYJNE
P04/00	EXIT
PI05/00	
PI06/00	
PI15/00	
PI17/00	
PI18/00	
PI21/00	
PI22/00	
PI23/00	
PI24/00	
PI25/00	
PI26/00	
PI27/00	

SET OF SAFETY SIGNS



The set consists of 4 safety signs, ~10x10cm or ~15x15cm stickers.

It allows to compose your own sign **PIXX** from „Safety signs” table by selection stickers and arrow rotation.

ORDERING

UTILIGHT II SGN 0000 - 30x15 - CT - 1h - M - 9016 - PI21

Variant:

0000 - base

0001 - extended warranty

Safety sign dimension:

30x15 - 30x15cm

System variant:

ST - standard

AT - autotest

CT - centraltest

CB - centrally supplied luminaire

CBAM - centrally supplied luminaire, with address module

LV - centrally low voltage supplied luminaire

LVAM - centrally low voltage supplied luminaire, with address module

Emergency operation time:

1h - 1 hour

3h - 3 hours

8h - 8 hours

X - not applicable (CB, CBAM, LV, LVAM)

Operation mode:

M - maintained


SM - switched maintained

CI - cinema (ST, CT)

X - not applicable (HVCBS, LVDBS)

Housing colour:

9016 -  RAL 9016

7042 -  RAL 7042

7016 -  RAL 7016

9005 -  RAL 9005

... - other on special order

Safety signs:

... - see table „**Safety signs**”

NOP - without PC plate

Pix - pictogram for later explanation

S - set of safety signs